

InRouter 700 Series

Industrial Ethernet to UMTS/HSUPA/GPRS Router



Standard Model Four Ethernet Port Model



- **INDUSTRIAL** design:
 - DIN-Rail Mount
 - Wide Operating Temperature: -25 to +70°C(-13 to 158°F)
 - Power Input: 12 to 48V DC, Industrial Terminal Block
 - Immunity to EMI
- **COMPACT DESIGN**, easy to install
- **VPN**: IPSec/PPTP/L2TP/GRE/SSL VPN/OPEN VPN
- 1 or 4 Ethernet ports
- MODBUS TCP, Transparent TCP, Virtual COM
- **FREE CENTRALIZED MANAGEMENT PLATFORM**

Overview

IR700 Series comprises of rugged industrial cellular routers which are designed to transmit serial/Ethernet data to customers' data center through UMTS/GSM mobile networks. The routers are light-weight and compact products combined with rich features. Based on professional industrial chip design, IR700 series is capable of working robustly in harsh outdoor circumstances.

IR700 series also supports several VPN technologies to ensure security, including standard IPSec/PPTP/L2TP/GRE/SSL VPN and Open VPN. The routers provide convenient remote management via CLI and web page, which significantly reduce maintenance cost. Moreover, with customization services, IR700 series can benefit customers by high scalability, on demand service and efficient networking solutions for unattended field applications.

With high performance for several years, IR700 series is highly recognized by high-end customers including GE Healthcare, Siemens Traffic, Schneider Electric, Rockwell Automation, SKF, Vestas, China State Grid and many more.

Specification

Cellular WAN Interface

Universal UMTS/HSDPA 850/900/1800/1900/2100 MHz
 GSM/GPRS: 850/900/1800/1900 MHz
 CDMA/EVDO 450MHz

Authentication Method: CHAP/PAP
 SIM Card: 3V, flip SIM card, Anti-theft

LAN Interface

1 or 4 RJ45 Ports
 Auto Adaption: 10M/100M Ethernet auto-adaptive
 MDI/MDI-X auto crossover

Isolation Protection: 1.5KV isolation protection

Serial Port (RS232 or 485 optional)

1200-115200 bit/s Parity, 1.5kV ESD Protection
 Protocols: MODBUS TCP | Transparent TCP | Virtual COM

Environmental

Temperature: Operation: -25 to 70°C(-13 to 158°F)
 Storage: -40 to 85°C(-40 to 185°F)
 Humidity: 5% to 95%, non-condensing
 Protection Level: IP30
 Power Input: 12 to 48V DC, Industrial Terminal Block

EMI Immunity

ESD: EN61000-4-2, level 4
 Surge Protection: EN61000-4-5, level 3
 EFT: EN61000-4-4, Level 4
 RF: EN61000-4-3, level 3
 RC: EN61000-4-6, level 3
 Oscillatory Wave Immunity: EN61000-4-12, level 3
 Variation Magnetic Field Immunity: EN61000-4-8, level 5

Safety Certificate

Anti-shock/Drop/Vibration:
 IEC60068-2-27/IEC60068-2-32/IEC60068-2-6
 Electric Strength: DC500V imposed on communication lines to ground and on power lines to ground, resistance >15MΩ

Network Operation Stable Service

Built-in hardware watchdog, self-recovery
 PPP link detection disaster self-recovery
 VPN connections disaster self-recovery
 Professional upgrade mechanism

Configuration

DB9 Console port, SSH, Telnet, and Web configuration

Upgrade

Remote upgrade and web upgrade, utilizing redundant backup mechanism for worry-free upgrade

Network Function

Network Address Translation (NAT) and Port Address Translation (PAT)

Deny illegitimate host access

Firewall

State Packet Inspection (SPI), multicast filtering, PING packet filtering, DoS attack preventing

Network Protocols

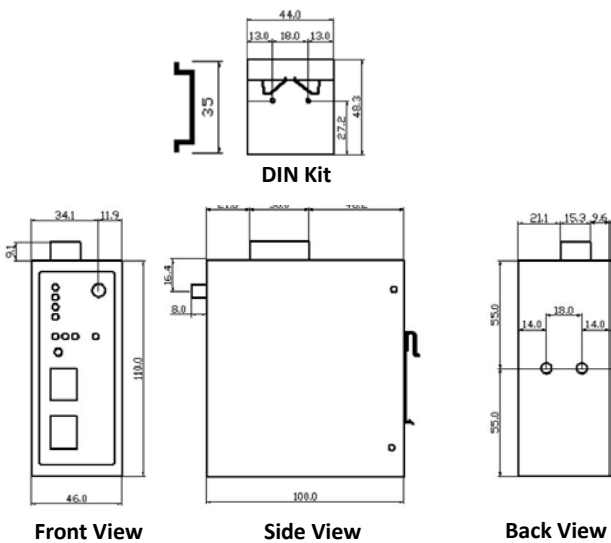
ICMP, IP, TCP, UDP, DHCP, PPP, ARP, Telnet, DNS, SSH, VRRP, HTTP, HTTPS, VPN (IPSec/PPTP/L2TP/GRE/SSL VPN)

Warranty

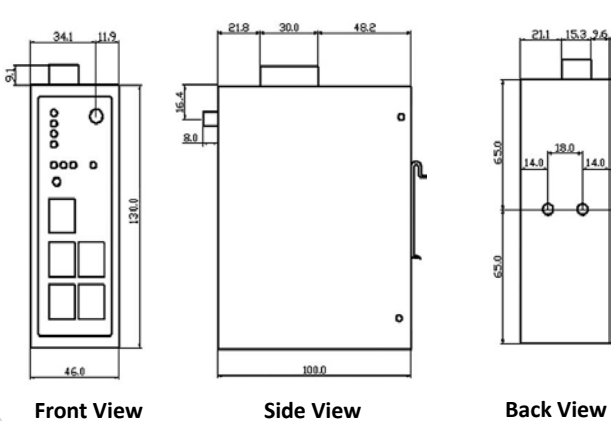
Warranty Period: 3 years

Dimensions (Unit: mm)

One Ethernet Port Model (L×W×H=100×46×110)

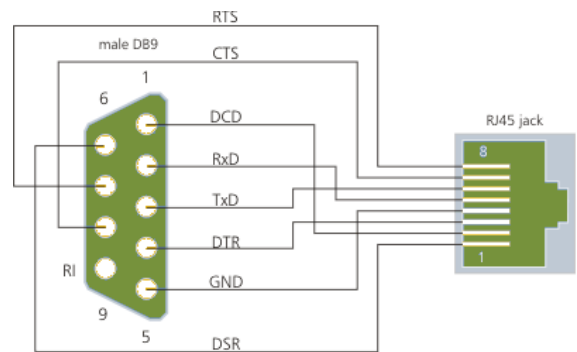


Four Ethernet Port Model (L×W×H=100×46×130)



Interfaces

DB9 ←→ RJ45 (for Console port)



Terminal Block Interface

V+	12-48V DC	positive
V-		negative
NC		None connect
TXD/485-		RS232 TX or RS485-
RXD/485+		RS232 RX or RS485+
GND		Digital ground

Order Information

Optional Functions

Network: UMTS/HSUPA or GPRS or EVDO 450MHz

Ethernet Port No.: 1 or 4 ports

(4 ports model also support cable WAN access)

Serial Interfaces: RS232 or 485 optional

VPN: no VPN | Standard VPN (IPSec/PPTP/L2TP/GRE) | Advanced VPN (IPSec/PPTP/L2TP/GRE/SSL VPN) + Open VPN